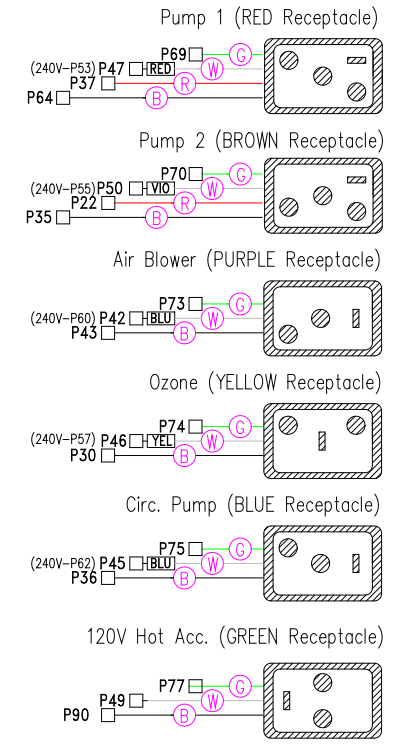
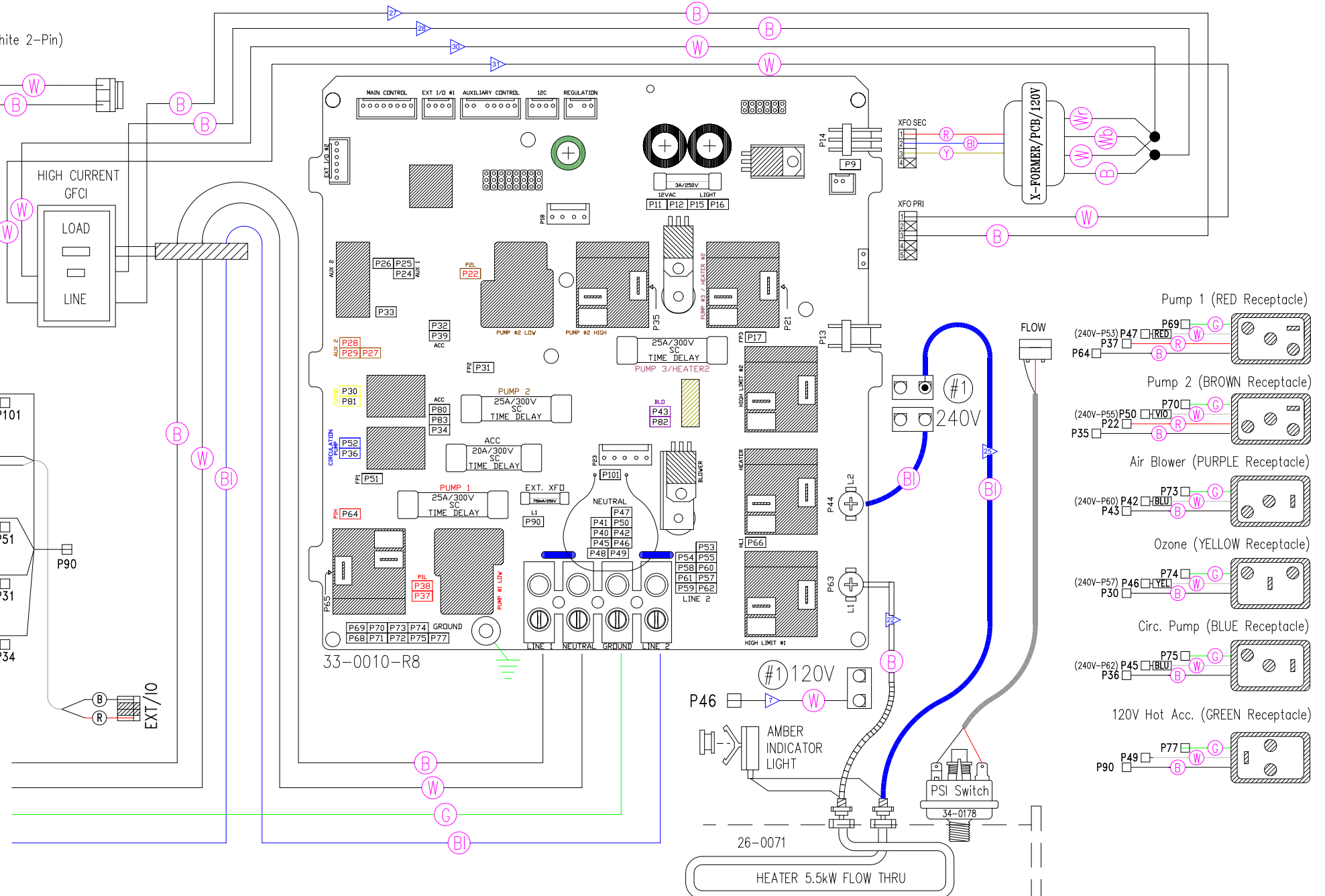


12V Light (White 2-Pin)

- SYSTEM FUSE**
RED INDICATOR LIGHT
- HIGH-LIMIT**
RED INDICATOR LIGHT
- PUMP 1 FUSE**
RED INDICATOR LIGHT
- PUMP 2 FUSE**
RED INDICATOR LIGHT
- AIR/CIRC/OZ FUSE**
RED INDICATOR LIGHT

Line 1
Neutral
Ground
Line 2



HYDRO-QUIP
CORONA, CA (951) 273-7575

Manufacture Notes: EX: RED - DENOTES THE COLOR OF HEAT SHRINK USED.

For 120V Operation:

Heater plug (#1) installed into receptacle labeled 120V

For 240V Operation:

Install Heater plug (#1) into receptacle labeled 240V

Drawn BH	Rev 14	Wire Color Code B - Black G - Green Br - Brown Bl - Blue R - Red V - Violet O - Orange W - White Y - Yellow Gr - Gray
Date	05.16.07	
Diagram No.	6404	